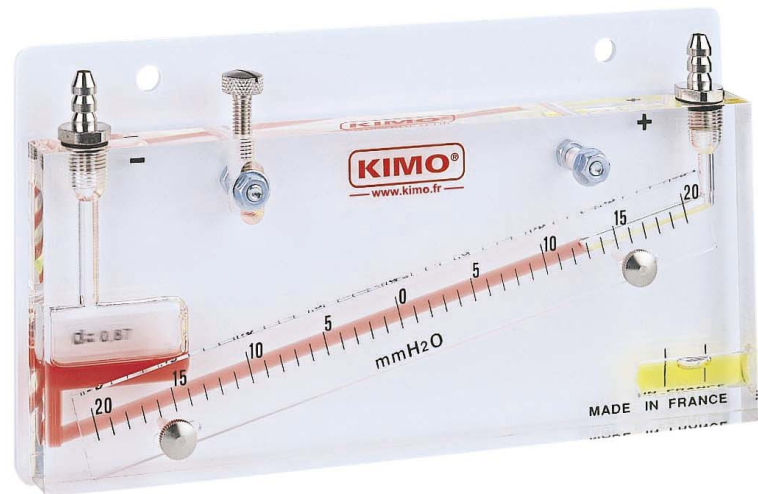


KX series INCLINED LIQUID COLUMN MANOMETERS

Pressure / Depression

The KX range of inclined liquid column manometers, developed and manufactured by KIMO, measure slight variations in pressure, depression or differential pressure of air or gas. They are for use in the following applications : treatment of air, ventilation, air conditioning, heating, dust elimination...



KEY POINTS

- Scale with centered zero.
- Possibility for measuring positive and negative pressures.
- Zero adjusting by moving the slide strip.
- Integrated spirit level for adjusting horizontality
- Supplied with a white PVC support, 2 screws and 2 rawplugs, two 487 connectors and a bottle of AWS 10 liquid.

MEASURING RANGE

| Reference | Measuring range* | | Sensitivity scale For 1 mm CE or 10 PA | Resolution |
|-----------|------------------|---------------|---|------------------|
| | mm CE | Pascal | | |
| KX 205 | 25 – 0 – 25 | 250 – 0 – 250 | 3 mm | 1 mm CE or 10 Pa |
| KX 404 | 40 – 0 – 40 | 400 – 0 – 400 | 2.5 mm | 1 mm CE or 10 Pa |

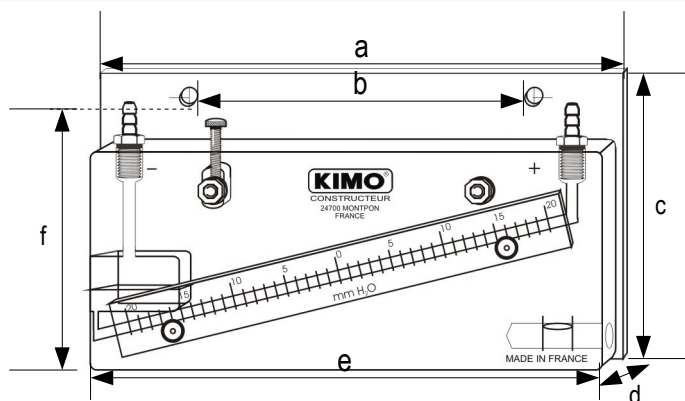
*Also exists in DaPa..

TECHNICAL FEATURES

| | |
|---|--|
| Recommended range of use | From +5 to +30°C |
| Température d'utilisation possible | From -30 to +60°C |
| Maximum static pressure | 6 bars |
| Manometer body | Transparent 15 mm thick Altuglas. |
| Liquid column | entirely bored in the solid block, Ø 4mm. |
| Graduated slide strip | Transparent Altuglas. Cross-section 20 x 2 mm. |
| Zero adjustment | By moving the graduated slide strip, travel 12 mm. Fixed in place via milled, nickel-plated brass screw. |
| Positioning | Horizontal positioning via integrated spirit level and milled, nickel-plated brass adjusting screw, vertical travel 12 mm. |
| Manometric liquid | AWS 10 red oil, density 0.87 at 15°C |
| Reservoir capacity | 20 ml |
| Connection | Ø 5x8 mm semi-rigid crystal tube, on Ø 6.2 mm ribbed, nickel-plated brass connectors, 1/8 gas thread. |
| Wall-mounted | With or without white PVC support. |

DIMENSIONS

| Reference | KX 205 | KX404 |
|-----------|--------|--------|
| a | 178 mm | 219 mm |
| b | 110 mm | 151 mm |
| c | 117 mm | 154 mm |
| d | 25 mm | 25 mm |
| e | 174 mm | 215 mm |
| f | 109 mm | 129 mm |
| weight | 420 g | 660 g |



MOUNTING

1. **Mount** the manometer on a wall or a vertical partition wall with two maximum **Ø 5 x 25 mm screws**.
2. **Set horizontality** by using the integrated level and the milled adjusting screw.
3. **Unscrew** the connector on the reservoir and **slowly pour the manometric liquid** to zero point on the graduation.
4. **Remount** the connector without overtightening.
5. **Connect** the manometer with the **Ø 5x8 mm** crystal tube to the pressure or depression source to be checked.

NOTE :

For a **pressure** measurement.....Connect the crystal tube to the **right-hand connector (+)**
 For a **depression** measurement.....Connect the crystal tube to the **left-hand connector (-)**
 For a **differential pressure**.....Connect the highest pressure to the **right-hand connector (+)** and the lowest pressure to the **left hand connector (-)**

MAINTENANCE :

KX manometers require no special maintenance other than simply changing the reading liquid once a year.

Händlerkontakt:



MDUA GmbH & Co. KG · Mess- und Datentechnik für Umweltschutz und Arbeitssicherheit
 Otto-Hahn-Str. 43 · 48161 Münster · Tel.: 02534 / 9775806 · Fax: 02534 / 9775807 · mail@mdua.de · www.mdua.de