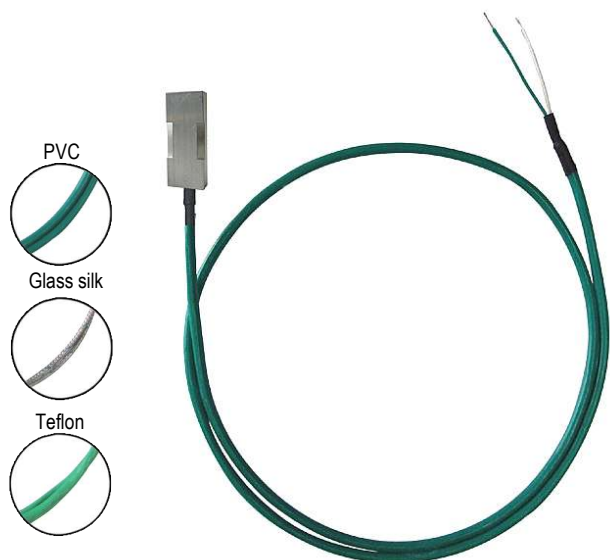


# Thermocouple probe with cable for pipe

## SFCT K



Supplied with adjustable ring of 100 mm Ø

### Probe feature

- Thermocouple types T, J, K and N.
- Measuring range from **-40°C to +550°C**
- With contact end for pipe (all diameters)

### Technical feature

**Operating temperature**.....from -40°C to +105°C for shielded PVC cable  
 from -40°C to +260°C for shielded T cable  
 from -40°C to +400°C for shielded SV cable  
 from -40°C to +550°C for shielded SV cable (Tc K only)

**Accuracy for class 1**.....See "Tolerances" table

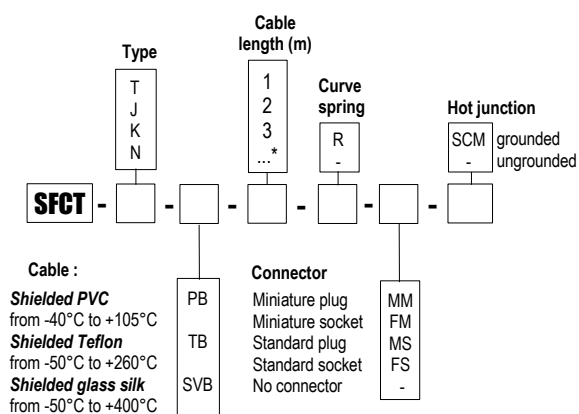
**Welding type**.....Default ungrounded hot junction  
 For grounded hot junction, SCM must be added at the end of the part number.

**Storage temperature**.....from -20°C to +80°C

**Contact tip**.....40 x 16 x 8,5 mm  
 V shape  
 screw fastener  
 made of AU4G (aluminium)

**Connection**.....supplied with stainless steel adjustable ring for DN 100. Other adjustable ring available on request

### Part numbers



\* Other dimensions available on request

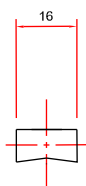
**Example : SFCTK-P-3-R-MM**

**Model :** Thermocouple type K with ungrounded hot junction. Contact probe on PVC cable, 3m long, with curve spring and miniature plug connector.

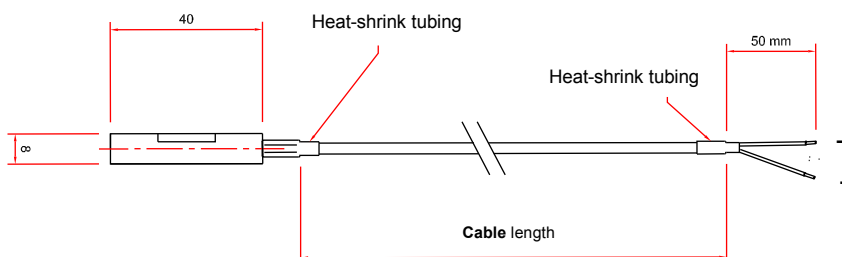
**Measuring range from -40 to +105°C.**

### Probe dimensions


Front view



Side view



## ■ Tolerances

| TC | Measuring range<br>CLASS 1 | TOLERANCE   |
|----|----------------------------|---|
|    |                            |  |
|    |                            |   |
|    |                            |   |
|    |                            |   |

## ■ Most common

| THERMOCOUPLE TYPES | + CONDUCTOR          | - CONDUCTOR         | COLOR OF COMPENSATING CABLE      |
|--------------------|----------------------|---------------------|----------------------------------|
| K                  | Chromel              | Alumel              | Ext. color + = GREEN, - = WHITE  |
| T                  | Copper               | Constantan          | Ext. color + = BROWN, - = WHITE  |
| J                  | Iron                 | Constantan          | Ext. color + = BLACK, - = WHITE  |
| N                  | Nicrosil             | Nisil               | Ext. color + = PINK, - = WHITE   |
| R                  | Platinum-13% Rhodium | Platinum            | Ext. color + = ORANGE, - = WHITE |
| S                  | Platinum-10% Rhodium | Platinum            | Ext. color + = ORANGE, - = WHITE |
| B                  | Platinum-30%Rhodium  | Platinum- 6%Rhodium | Ext. color + = GREY, - = WHITE   |

## ■ Accessories (See Datasheet)

- Extension cable
- Compensating cable
- Standard or miniature connector
- Cable seal for plug and socket connector
- Miniature or standard fixed connector
- Miniature or standard connectors panel
- Extension lead
- Converters

### Händlerkontakt:

