

# Thermocouple penetration probe with cable

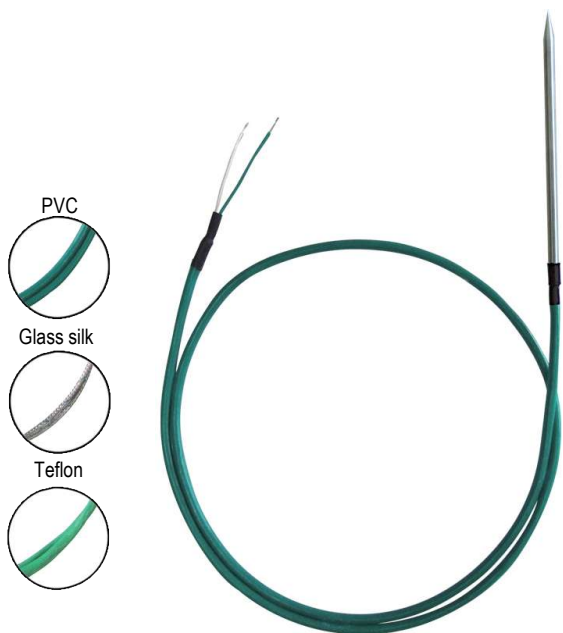
## SFP K

### Probe features

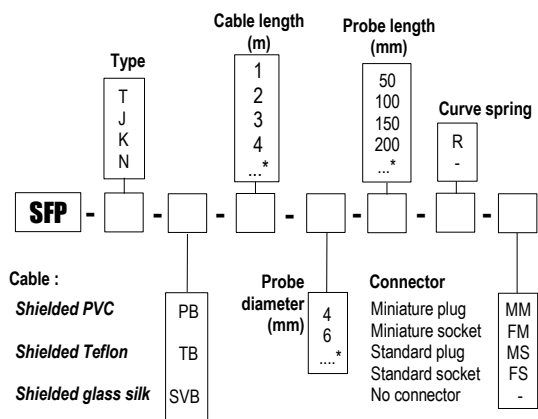
- Thermocouple types T, J, K and N.
- Measuring range from **-40°C to +550°C**
- 316 L stainless steel sheath

### Technical features

- Operating temperature**.....from -40°C to +105°C for shielded PVC cable  
 from -40°C to +260°C for shielded T cable  
 from -40°C to +400°C for shielded SV cable  
 from -40°C to +550°C for shielded SV cable (Tc K only)
- Accuracy for class 1**.....See "Tolerances" table
- Welding type**.....Ungrounded hot junction.
- Storage temperature**.....from -20°C to +80°C
- Output** .....stripped wire, miniature plug or standard on request.
- Sheath**.....316 L stainless steel, optional curve spring.



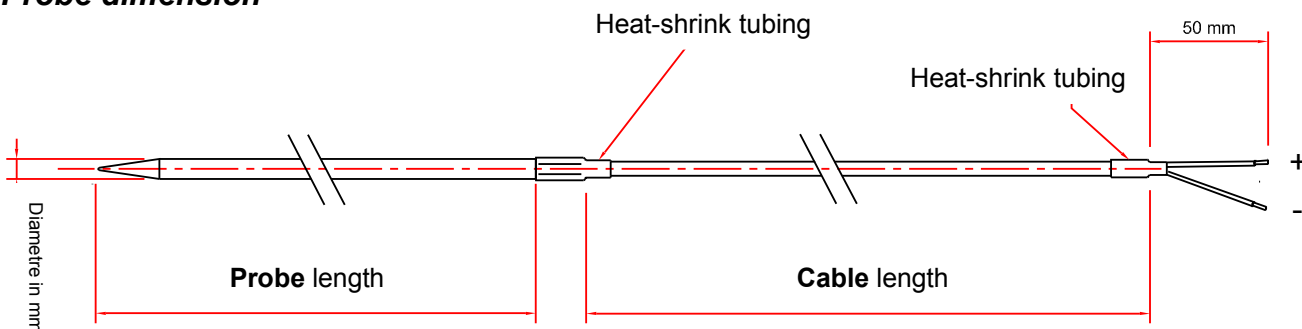
### Part numbers



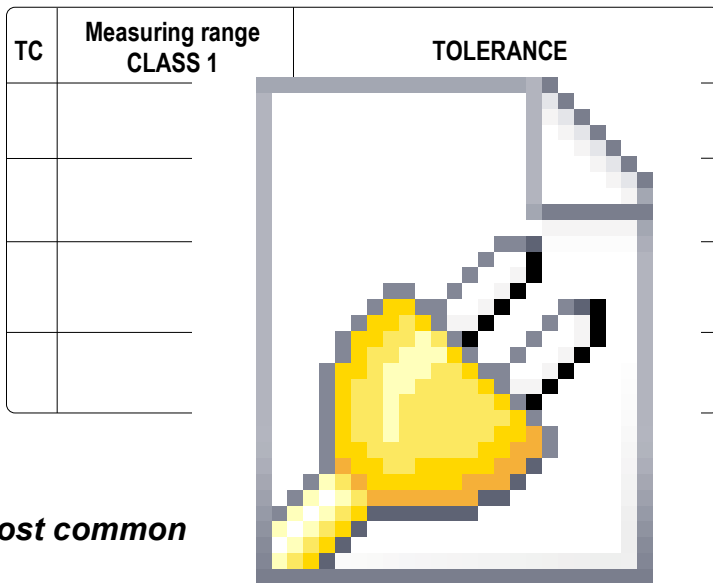
\* Other on request

**Example : SFPK-PB-1-4-100-R-MM**  
 Model : Thermocouple type K. Stainless steel protective sheath 4 mm diameter, 100mm length with a shielded PVC cable, 1m long, with curve spring and miniature plug connector.  
 Measuring range from -40 to +105°C.

### Probe dimension



## ■ Tolerances



## ■ Most common

THERMOCOUPLE TYPES	+ CONDUCTOR	- CONDUCTOR	COLOR OF COMPENSATING CABLE
K	Chromel	Alumel	Ext. color + = GREEN, - = WHITE
T	Copper	Constantan	Ext. color + = BROWN, - = WHITE
J	Iron	Constantan	Ext. color + = BLACK, - = WHITE
N	Nicrosil	Nisil	Ext. color + = PINK, - = WHITE
R	Platinum-13% Rhodium	Platinum	Ext. color + = ORANGE, - = WHITE
S	Platinum-10% Rhodium	Platinum	Ext. color + = ORANGE, - = WHITE
B	Platinum-30%Rhodium	Platinum- 6%Rhodium	Ext. color + = GREY, - = WHITE

## ■ Accessories (See Datasheet)

- Extension cable
- Compensating cable
- Standard or miniature connector
- Cable seal for plug and socket connector
- Miniature or standard fixed connector
- Miniature or standard connectors panel
- Extension lead
- Converters

Ref. FTang - SFPK - 09/07 A – We reserve the right to modify the characteristics of our products without notice.

### Händlerkontakt:



MDUA GmbH & Co. KG · Mess- und Datentechnik für Umweltschutz und Arbeitssicherheit  
 Otto-Hahn-Str. 43 · 48161 Münster · Tel.: 02534 / 9775806 · Fax: 02534 / 9775807 · mail@mdua.de · www.mdua.de