

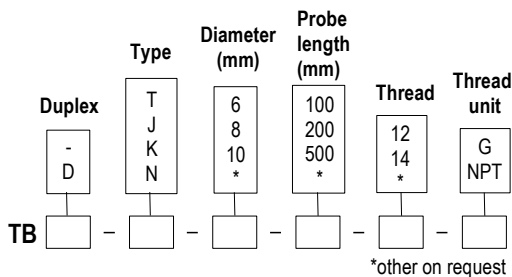


**Thermocouple sensor with standard connection head and ambient tip**

**TBAJ K/ TBAJ KI**

- Thermocouple types T, J, K and N.
- Measuring range from **0°C to +400°C**
- With or without compression fitting

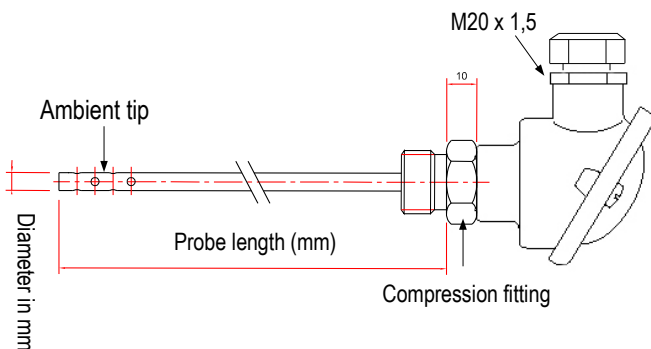
**Part numbers**



Example : TBD-T-6-100-12-G

Model : Thermocouple T in a sheath of 6 mm Ø and 100 mm length with a ½G compression fitting. Wire multipair mounting.

**Dimensions**



**Transmitter features**

- Operating temperature**..... For *TBK* type  
from 0°C to +350°C for Tc T  
from 0°C to +400°C for J, K and N
- Accuracy for class 1**..... See "Tolerances" table
- Welding type**..... Ungrounded hot junction.  
Singlepair or 2x2 multipair.
- Sheath**..... 316 L stainless steel. Ambient end of 20 mm.  
6 or 8 mm Ø or other on request
- Compression fitting**..... 316 L stainless steel
- Thread**..... With or without ½ , ¼,  
Gaz or NPT plug
- Electrical connection**..... with or without terminal block  
transmitter 4/20mA 0/10V as option
- Connection head**..... Aluminium alloy  
cable gland : M20 x 1.5  
IP65 protection
- Storage temperature**..... from 0°C to +80°C

**Tolerances**

TC	Measuring range CLASS 1	TOLERANCE
T	From -40°C to +350°C	From -40°C to +125°C ± 0.5°C From 125°C to +350°C ± 0.004 x T°
J	From -40°C to +750°C	From -40°C to +375°C ± 1.5°C From 375°C to 750°C ± 0.004 x T°
K	From -40°C to +1000°C	From -40°C to +375°C ± 1.5°C From 375°C to 1000°C ± 0.004 x T°
N	From -40°C to +1000°C	From -40°C to +375°C ± 1.5°C From 375°C to 1000°C ± 0.004 x T°

## ■ Most common thermocouple types

THERMOCOUPLE TYPES	+ CONDUCTOR	- CONDUCTOR	COLOR OF COMPENSATING CABLE
K	Chromel	Alumel	Ext. color + = GREEN, - = WHITE
T	Copper	Constantan	Ext. color + = BROWN, - = WHITE
J	Iron	Constantan	Ext. color + = BLACK, - = WHITE
N	Nicrosil	Nisil	Ext. color + = PINK, - = WHITE
R	Platinum-13% Rhodium	Platinum	Ext. color + = ORANGE, - = WHITE
S	Platinum-10% Rhodium	Platinum	Ext. color + = ORANGE, - = WHITE
B	Platinum-30%Rhodium	Platinum- 6%Rhodium	Ext. color + = GREY, - = WHITE

## ■ Accessories (See Datasheet)

- Extension cable
- Compensating cable
- Standard or miniature connector
- Cable seal for plug and socket connector
- Miniature or standard fixed connector
- Miniature or standard connectors panel
- Extension lead
- Converters

### Händlerkontakt:

