



**RTD sensor with cable
for very low temperature**

SFBT 50 / SFBTD 50

Technical features

- Working temperature.....from -80°C to +50°C (PT100 and PT1000)
- Accuracy *.....PT100 or PT1000 : see "Tolerances" table
- Type of sensor.....PT100 : Class B, Class A.
PT1000 : Class B only.
- Storage temperature.....from -20°C to +80°C
- Working temperature
of the cable.....Teflon (PFA) : from -50°C to +260°C
- Mounting.....4 mm Ø probe for 2 or 3 wires only
6 wires mounting from 6 mm Ø.
- Sheath......316 L stainless steel, watertight crimping.
Curve spring as option.

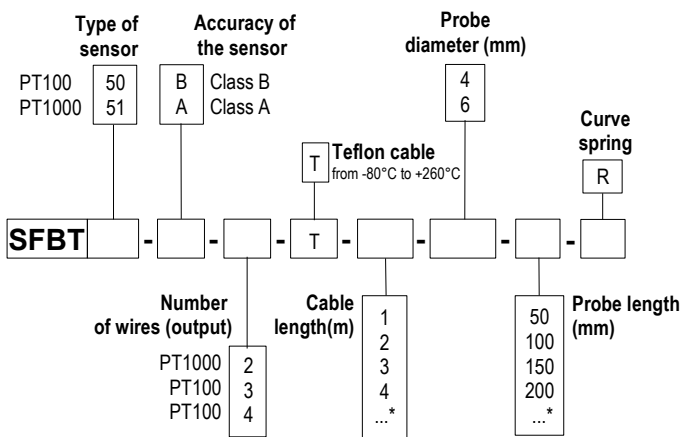
*All the accuracies indicated in this technical datasheet were stated in laboratories conditions, and can be guaranteed for measurements carried out in the same conditions, or carried out with calibration compensation.

Probe features

- Stainless steel temperature probes with conductive cable.
- Measuring range (according to cable) :
from -80°C to +50°C (PT100 and PT1000)
- 2 wires (SFBT) or 4 wires (SFBTD) for PT1000
- 3 - 4 wires (SFBT) or 6 wires (SFBTD) for PT100.

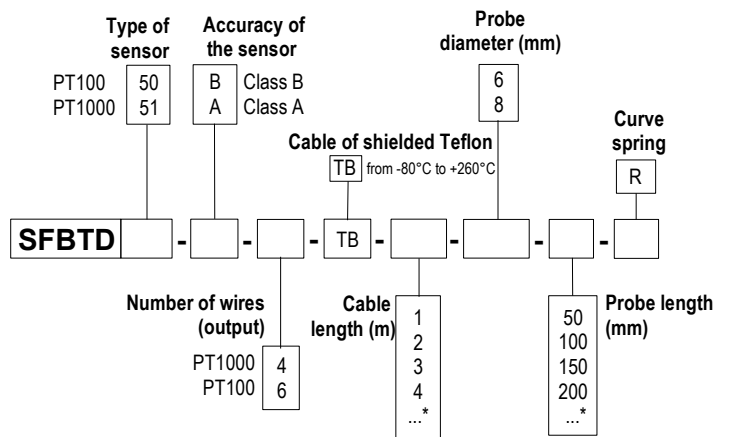
Part numbers

• SFBT 50 - Single pair -



* Other lengths available on request

• SFBTD 50 - Multipair -

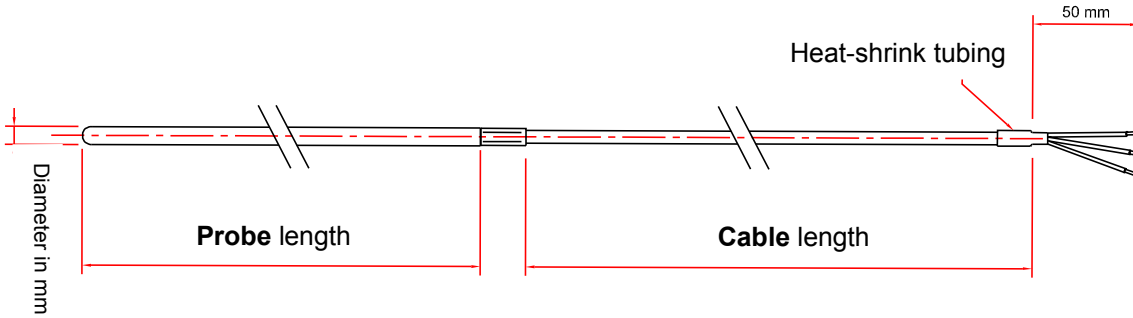


* Other lengths available on request

Example : SFBT51-B-2-T-1-4-100-12
Model : Temperature probe PT1000 Class B, 2 wires, Teflon cable of 1 m length. Stainless steel protective sheath 4 mm Ø, length 100 mm, without curve spring. Measuring range from -80 to +50°C.

Example : SFBTD51-B-4-TB-1-6-100
Model : Temperature probe PT1000 Classe B, 4 wires, cable of 1m length in shielded Teflon. Stainless steel protective sheath 6 mm Ø, length 100 mm, without curve spring. Measuring range from -80 to +50°C.

■ Dimensions



■ Tolerance of PT100 and PT1000 probes.

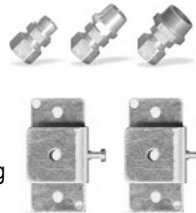
Norms as per IEC 751 (1993), BS 1904 (1984) and DIN 43760 (1980).

Temp °C	Tolerances			
	Class B		Class A	
	± °C	± Ohms	± °C	± Ohms
-100	0,8	0,32	0,35	0,14
-50	0,55	0,22	0,25	0,1
0	0,3	0,12	0,15	0,06
100	0,8	0,3	0,35	0,13
200	1,3	0,48	0,55	0,2
300	1,8	0,64	0,75	0,27
400	2,3	0,79	0,95	0,33

Resistance values for PT1000 (Ω) must be multiplied by 10 for the same corresponding temperature value (°C). I.e.: at 0°C for Class B PT1000 ± 0.3°C → ± 1.2 Ω

■ Accessories (See Datasheet)

- Transmitter output 4/20 mA or 0/10V
- Wall fixing support
- Stainless steel mounting brackets
- ¼" or ½" Gas screw nut
- Stainless steel sliding connection
- Teflon or stainless steel ferrule for compression fitting



- Sleeve to weld for food industry
- Stainless steel union fitting
- ½" Gas or NPT thread cuff
- Thermo-conducting silicone grease
- Calibration certificate
- Thermowell



Ref. FTang - SFBT50 - 09/07 A - We reserve the right to modify the characteristics of our products without notice.

Händlerkontakt:



MDUA GmbH & Co. KG · Mess- und Datentechnik für Umweltschutz und Arbeitssicherheit
 Otto-Hahn-Str. 43 · 48161 Münster · Tel.: 02534 / 9775806 · Fax: 02534 / 9775807 · mail@mdua.de · www.mdud.de