



Supplied with adjustable ring Ø 100 mm

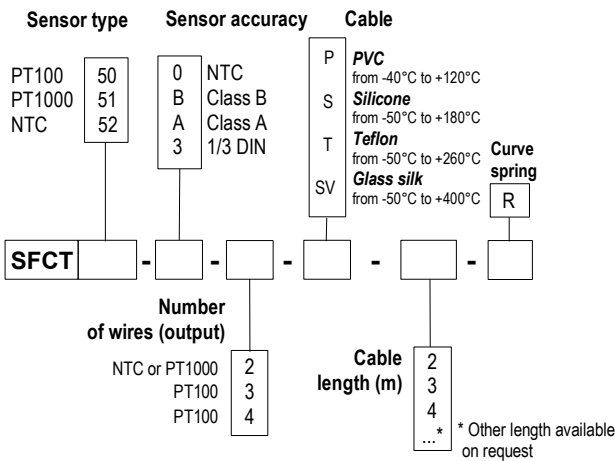
Temperature probe with cable for pipe

SFCT50 / SFCTD50

- Temperature probe with contact tip for pipe (all diameter).
- Measuring range (according to cable)
 - from -50°C to +400°C (PT100 and PT1000).
 - from -20°C to +120°C (NTC).
- 2 wires for NTC and PT1000 outputs, 3 or 4 wires for PT100 output.
- For other resistance types PT25, PT50, PT500, PT200 or NI, please contact us.

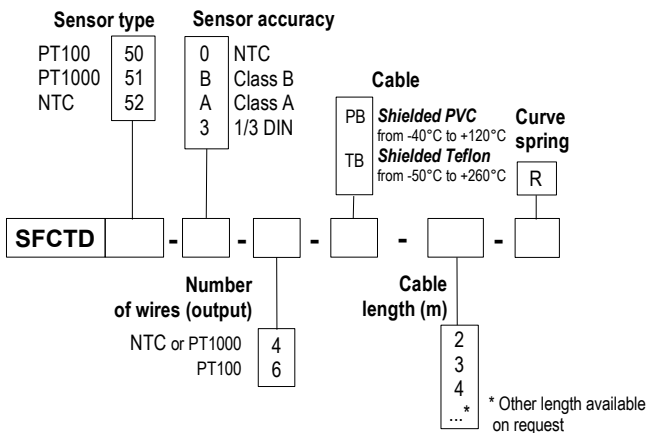
Part numbers

• SFCT – Single pair probe -



Example : SFCT50-B-3-P-4
Model : Pt 100 temperature probe, Class B, 3 wires, PVC cable of 4 m length without curve spring. **Measuring range from -40 to +120°C.**

• SFCTD – Multipair Probe -



Example : SFCTD50-B-6-PB-4
Model : Pt 100 temperature probe, Class B, 6 wires, PVC cable of 4 m length without curve spring. **Measuring range from -40 to +120°C.**

Transmitter features

Operating temperature.....for SFCT type
(According to cable) from -50°C to +400°C (PT100 and PT1000)
from -20°C to +120°C (NTC)

for SFCTD type
from -50°C to +250°C (PT100 and PT1000)
from -20°C to +120°C (NTC)

Accuracy*.....PT100 or PT1000 : see "Tolerances" table
NTC : see "Tolerances" table

Sensor type ype of sensor.....PT100 or PT1000 : Class B, Class A and 1/3 DIN as per DIN IEC751
NTC : resistance at 25°C, R₂₅ = 10KΩ Nominal
Beta value B25/85 = 3.695K ±1%

Wire mounting.....single pair 2, 3 or 4 wires

multipair 4 or 6 wires



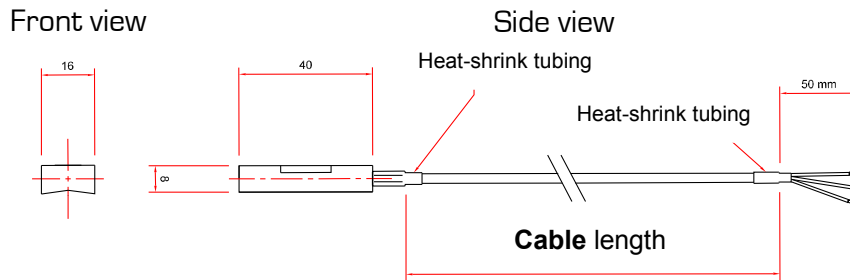
Storage temperature.....from -20°C to +80°C

Contact tip.....40 x 16 x 8,5 mm
V shape
screw fastener
made of AU4G (aluminium)

Connection.....supplied with stainless steel adjustable ring for DN 100. Other adjustable ring available on request

Operating temperature of cable.
PVC : from -40°C to +120°C
Silicone : from -50°C to +180°C
Teflon (PFA) : from -50°C to +260°C
Glass silk with stainless steel sheet : from -50°C to +400°C

■ Probes dimensions



■ Tolerance* of PT100 and PT1000 probes.

Norms as per IEC 751 (1993), BS 1904 (1984) and DIN 43760 (1980).

| Temp °C | Tolerances | | | | | |
|---------|------------|--------|---------|--------|---------|--------|
| | Class B | | Class A | | 1/3 DIN | |
| | ± °C | ± Ohms | ± °C | ± Ohms | ± °C | ± Ohms |
| -100 | 0,8 | 0,32 | 0,35 | 0,14 | 0,27 | 0,11 |
| -50 | 0,55 | 0,22 | 0,25 | 0,1 | 0,19 | 0,08 |
| 0 | 0,3 | 0,12 | 0,15 | 0,06 | 0,1 | 0,04 |
| 100 | 0,8 | 0,3 | 0,35 | 0,13 | 0,27 | 0,1 |
| 200 | 1,3 | 0,48 | 0,55 | 0,2 | 0,44 | 0,16 |
| 300 | 1,8 | 0,64 | 0,75 | 0,27 | 0,6 | 0,21 |
| 400 | 2,3 | 0,79 | 0,95 | 0,33 | 0,77 | 0,26 |

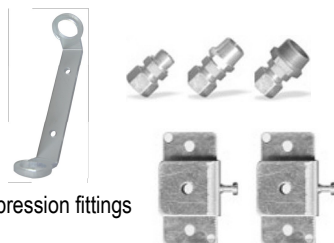
*Resistance values for PT1000 (Ω) must be multiplied by 10 for the same corresponding temperature value (°C). I.e : at 0°C for Class B PT1000 ± 0.3°C → ± 1.2 Ω

■ Tolerances* of NTC probes

| Measuring range °C | Tolerances °C |
|----------------------|---------------|
| from -20°C to 0°C | ± 0.5°C |
| from 0°C to +70°C | ± 0.2°C |
| from +70°C to +100°C | ± 0.5°C |

■ Accessories (See related datasheet)

- Transmitter output 4/20 mA or 0/10V
- Wall mounting support
- Stainless steel mounting brackets
- ¼" or ½" Gas screw nut
- Stainless steel compression fitting
- Teflon or stainless steel ferrule for compression fittings



- Sleeve to weld for food industry
- Stainless steel junction fitting
- ½" Gas or NPT thread cuff
- Thermo-conducting silicone grease
- Calibration certificate
- Thermowell



Händlerkontakt:

