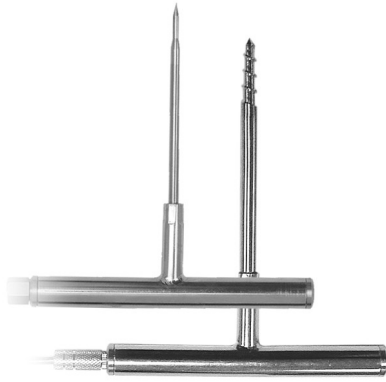
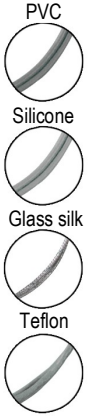


T handle temperature probe with cable at resistive element

SFPPT 50 / SFPPTD 50



Technical features

Operating temperature.....from -50°C to +400°C (PT100 and PT1000)
(according to cable) from -20°C to +120°C (NTC)

Accuracy *.....PT100 or PT1000 : see "Tolerances" table
NTC : see "Tolerances" table

Sensor type.....PT100 or PT1000 : class B, class A, 1/3 DIN
as per DIN IEC751
NTC : resistance at 25°C, R₂₅ = 10KΩ Nominal
Beta value B25/85 = 3,695K ±1%

Storage temperature.....from -20°C to +80°C

Operating temperature

of cable.....Shielded PVC : from -40°C to +120°C

Silicone : from -50°C to +180°C

Shielded Teflon (PFA) : from -50°C to +260°C

Silk glass with stainless steel braid : from -50°C to +400°C

Mounting of cable outlet.....With shrinking type penetration end piece : unremovable PE output
With corkscrew type penetration end piece : detachable Jack output

Contact tip.....Ø 4.5 or 8 mm in stainless steel 316 L, choice of length

Sewing contact tip

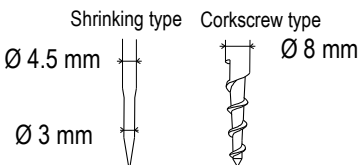
corkscrew (to screw) : contact tip diameter 8 mm Ø only

Shrinking : contact tip Ø 4.5 mm and shrinking Ø 3 mm

Probe features

- Temperature probe à piquer mounted on T handle.
- Measuring ranges (according to cable):
from -50°C to +400°C (PT100 and PT1000),
from -20°C to +120°C (CTN).
- 2-wire output (SFPPT) or
4-wire output (SFPPTD) for NTC and PT1000
- 3-4 wire output (SFPPT) or
6-wire output (SFPPTD) for PT100.
- For other resistance types PT25, PT50, PT500,
PT200 or NI, please contact us.

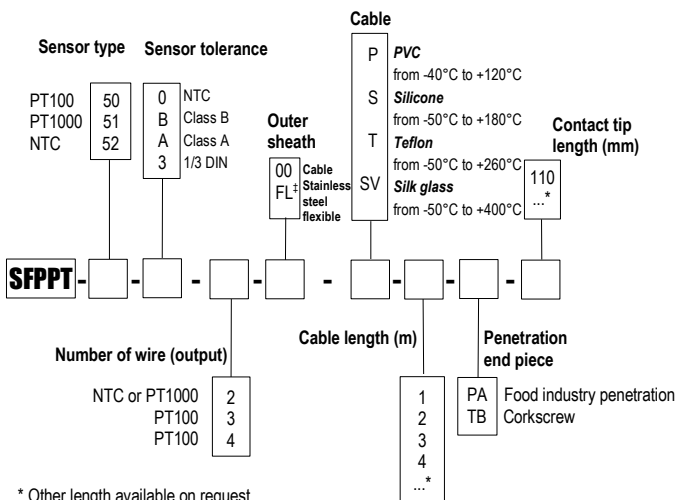
Penetration end piece



Part numbers

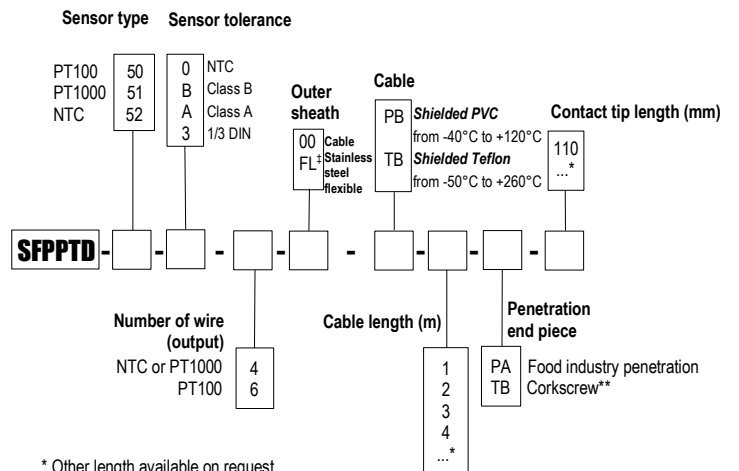
T handle probes are available with simple pair or multipair electrical assembly :

Single pair probe – Ref. SFPPT 50



* Other length available on request
‡ impossible for probe with corkscrew contact tip

Multipair probe – Ref. SFPPTD 50



* Other length available on request
‡ impossible for probe with corkscrew contact tip
**No Jack plug output

Example : SFPPT50-B-3-00-P-2-PA-110

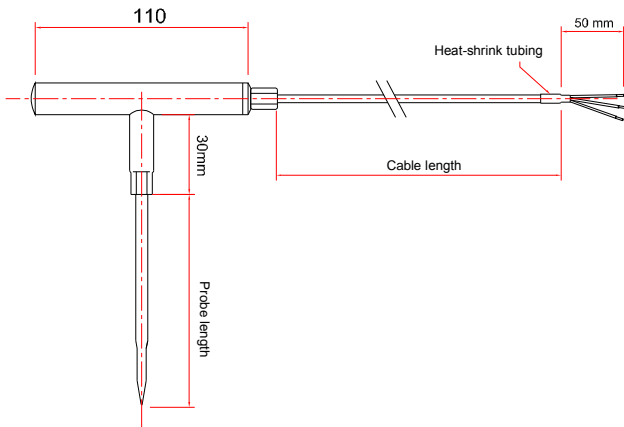
Model : PT100 temperature probe, Class B, 3 wires, outer sheath in PVC cable of length 2 m. Stainless steel contact tip 4,5 mm Ø for food industry penetration of length 110 mm with shrinking type penetration end piece. **Measuring range from -40 to +120°C.**

Example : SFPPTD50-A-6-00-TB-2-PA-110

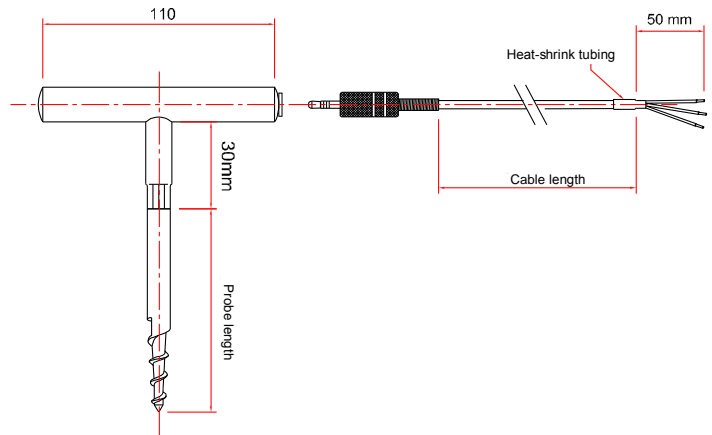
Model : PT100 temperature probe, Class A, multipair assembly 6 wires, outer sheath in shielded Teflon cable of length 2m. Stainless steel contact tip 4,5 mm Ø for food industry penetration of length 110 mm with shrinking type penetration end piece. **Measuring range from -50 to +260°C.**

■ Dimensions probes

• Probe with smooth contact tip



• Probe with corkscrew contact tip



■ Tolerance* of PT100 and PT1000 probes.

As per IEC 751 (1993), BS 1904 (1984) and DIN 43760 (1980) norms.

Temp °C	Tolerances					
	Class B		Class A		1/3 DIN	
-100	± 0,8 °C	± 0,32 Ohms	± 0,35 °C	± 0,14 Ohms	± 0,27 °C	± 0,11 Ohms
-50	± 0,55 °C	± 0,22 Ohms	± 0,25 °C	± 0,1 Ohms	± 0,19 °C	± 0,08 Ohms
0	± 0,3 °C	± 0,12 Ohms	± 0,15 °C	± 0,06 Ohms	± 0,1 °C	± 0,04 Ohms
100	± 0,8 °C	± 0,3 Ohms	± 0,35 °C	± 0,13 Ohms	± 0,27 °C	± 0,1 Ohms
200	± 1,3 °C	± 0,48 Ohms	± 0,55 °C	± 0,2 Ohms	± 0,44 °C	± 0,16 Ohms
300	± 1,8 °C	± 0,64 Ohms	± 0,75 °C	± 0,27 Ohms	± 0,6 °C	± 0,21 Ohms
400	± 2,3 °C	± 0,79 Ohms	± 0,95 °C	± 0,33 Ohms	± 0,77 °C	± 0,26 Ohms

Resistance values for PT1000 (Ω) must be multiplied by 10 for the same corresponding temperature
 i.e : at 0°C for PT1000 Class B $\pm 0,3^{\circ}\text{C} \rightarrow \pm 1,2 \Omega$

■ Tolerances* of NTC probes

Measuring range °C	Tolerances °C
From -20°C to 0°C	± 0,5°C
From 0°C to +70°C	± 0,2 °C
From +70°C to +100°C	± 0,5 °C

* Performed in laboratory conditions, the above accuracies mentioned in this document will be guaranteed, provided that you use the calibration compensation data or identical calibration conditions.

■ Accessories (See data sheet)

- DIN Rail transmitter output 4/20 mA or 0/10V
- Calibration certificate

Händlerkontakt:

