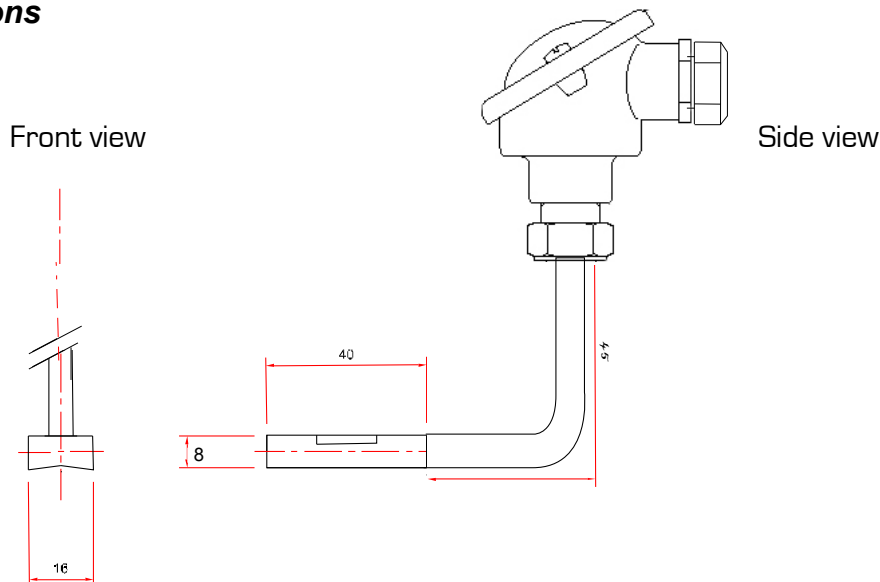


TBCT 50 & TBCTD 50

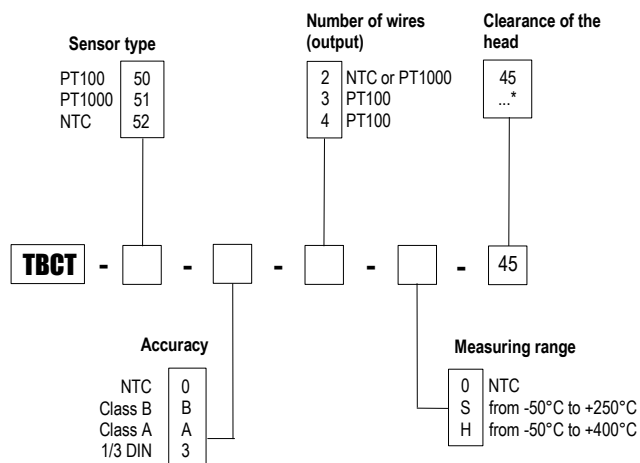
Temperature sensor with standard head and with contact for duct

Probe dimensions

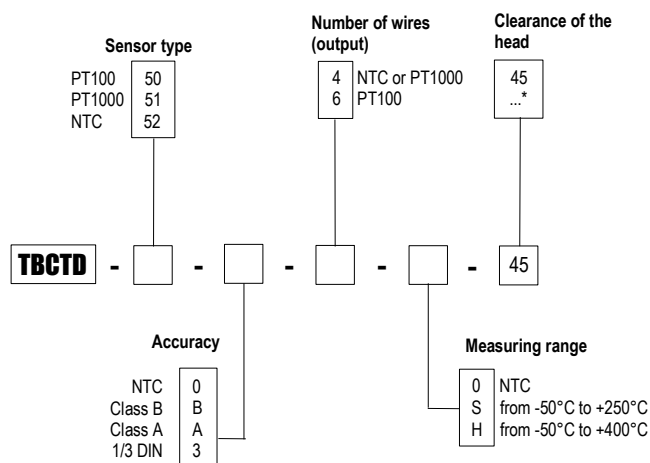


Références

• Single pair sensor – Ref. TBCT 50



• Multipair sensor – Ref. TBCTD 50



Example : TBCT51-B-2-S-45

Model : PT1000 temperature sensor Class B, 2 wires, clearance of the head at 45°. Measuring range from -50 à +250°C.

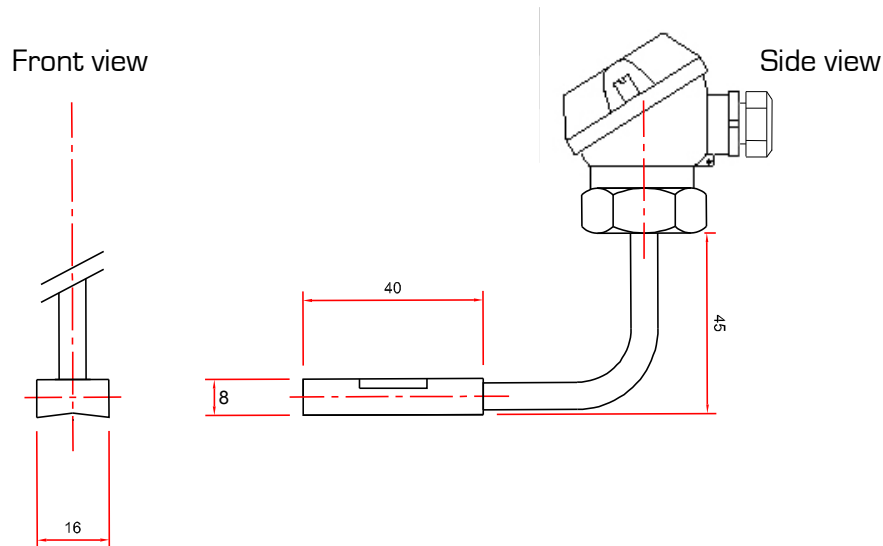
Example : TBCTD51-B-4-S-45

Model : PT1000 temperature sensor Class B, 4 wires, clearance of the head at 45°. Measuring range from -50 à +250°C.

TMCT 50 & TMCTD 50

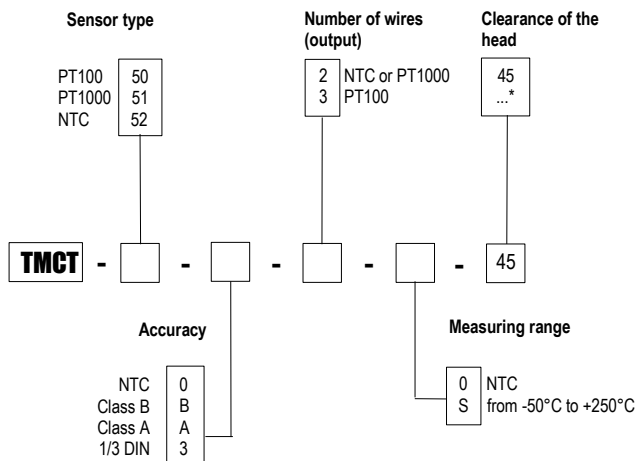
Temperature sensor with miniature head and with contact for duct

■ Dimensions probe



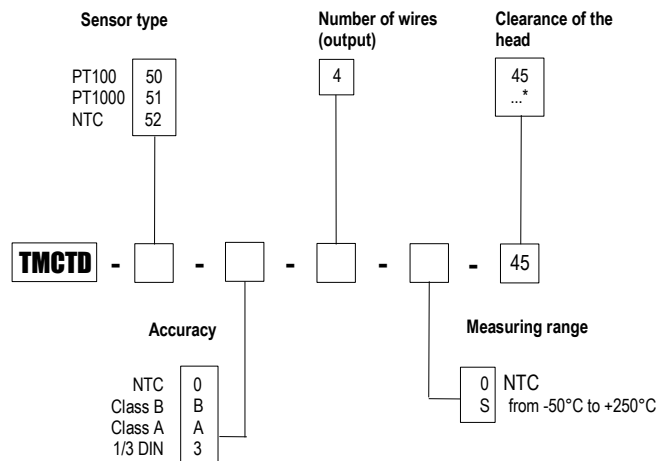
■ Part numbers

• Single pair sensor – Ref. **TMCT 50**



* Other on request

• Multipair sensor – Ref. **TMCTD 50**



* Other on request

Example : **TMCT51-B-2-S-45**

Model : PT1000 temperature sensor Class B, 2 wires, clearance of the head at 45°. Measuring range from -50 à +250°C.

Example : **TMCTD51-B-4-S-45**

Model : PT1000 temperature sensor Class B, 4 wires, clearance of the head at 45°. Measuring range from -50 à +250°C.

Tolerance* of PT100 and PT1000 probes.

Norms as per IEC 751 (1993), BS 1904 (1984) and DIN 43760 (1980).

Temp °C	Tolerances					
	Class B		Class A		1/3 DIN	
	± °C	± Ohms	± °C	± Ohms	± °C	± Ohms
-100	0,8	0,32	0,35	0,14	0,27	0,11
-50	0,55	0,22	0,25	0,1	0,19	0,08
0	0,3	0,12	0,15	0,06	0,1	0,04
100	0,8	0,3	0,35	0,13	0,27	0,1
200	1,3	0,48	0,55	0,2	0,44	0,16
300	1,8	0,64	0,75	0,27	0,6	0,21
400	2,3	0,79	0,95	0,33	0,77	0,26

*Resistance values for PT1000 (Ω) must be multiplied by 10 for the same corresponding temperature value (°C). I.e : at 0°C for Class B PT1000 ± 0.3°C → ± 1.2 Ω

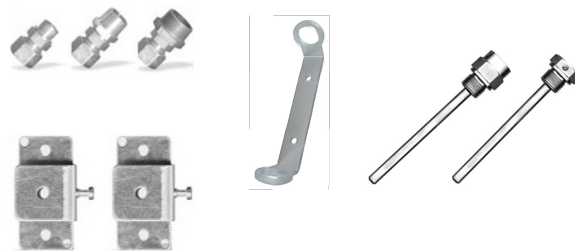
Tolerances* of NTC probes

Measuring range °C	Tolerances °C
from -20°C to 0°C	± 0,5°C
from 0°C to +70°C	± 0,2 °C
from +70°C to +100°C	± 0,5 °C

*all accuracies indicated in this technical data sheet were stated in laboratory conditions, and can be guaranteed for measurements carried out in the same conditions, or carried out with calibration compensation.

Accessories (See data sheet)

- Transmitter output 4/20 mA or 0/10V
- Wall fixing support
- Stainless steel mounting brackets
- ¼" or ½" Gas screw nut
- Stainless steel compression fitting
- Teflon or stainless steel ferrule for compression fittings
- Sleeve to weld for food industry
- Stainless steel union fitting
- ½" Gas or NPT thread cuff
- Thermo-conducting silicone grease
- Calibration certificate
- Thermowell



Händlerkontakt:

